

PASSIVE INFRARED SENSOR

PA-6612E

Wide angle protection: 39.4' (12m)



TAKEX[®]

The TAKEX PA-6612E is enhanced false alarm reduction due to small animals by our patented unique twin optical system.

Features

- **TWIN MIRROR OPTICAL SYSTEM**

The unique combination of a pair of optical units (twin mirror and two twin pyro) yields original protection area, by which the discriminating capability between human body and small animals is increased. This results in drastical reduction of false alarms due to small animals. (The current Quad PIR usually has the weak point, that the discriminating capability varies depending on the protection distance.) PA-6612E has overcome this weak point by the newly developed twin mirror technology, which enables non-linear control of zone disposition depending on the protection distance, in addition to the object size discriminating capability similar to the current Quad PIR.

- **EASY INSTALLATION**

The sensor unit can be snapped into and out of the base unit. One touch operation eases installation in high places.

- **SILENT RELAY**

Photo-mos relay adopted at alarm output. Completely noiseless by eliminating the movable part which is inside of the relay.

- **HIGH STABILITY**

Signal processing by the original CPU.
Excellent R.F.I. and noise immunity.
Good protection against insect intrusion.

- **SENSITIVITY CHANGEOVER**

Sensitivity is adjustable: 60%, 80%, 100% and 120%

- **PULSE COUNT CHANGEOVER**

Mode selector allows setting for 1,2,3, or 4 triggers to initiate an alarm output to suite its application.

- **ALARM CONTACT CHANGEOVER**

Mode selector allows N/O or N/C contact to be selected.

- **AUTO/MANUAL MEMORY**

Alarm memory can be either automatically or manually controlled.

- **OTHER FEATURES**

Wall / Ceiling mountable with optional attachment BCW-401.

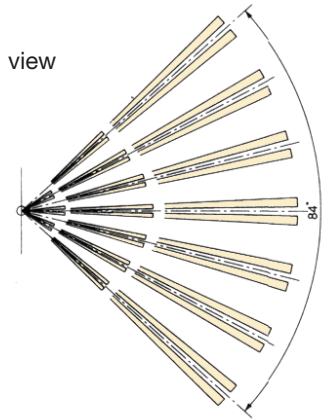
Specifications

Model	Twin Mirror Passive Infrared Sensor	
Model Number	PA-6612E	
Detection System	Passive infrared	
Detection Area	Wide angle max. 39.4' (12m) Max.	
Sensitive Zone	17 pairs (64)	
Supply Power	10.5V to 18V DC (Non-polarity)	
Current Consumption	25mA Max.	
Alarm Signal	Dry contact (N/C, N/O changeover) Reset: 2 sec., 24V, 0.25A Max. (protective resistance 3.3)	
Alarm Memory	Auto: 3 minutes flashing, 47 minutes lighting and automatically reset Manual: Manual control	
Alarm LED	Red: Flashing at warming up Lighting at alarm (LED disabled)	
Memory LED	Yellow: Flashing at memory activated Lighting at memory indication	
Adjustment	Vertically 19.5°, Horizontally 25° (on mounting hole of base)	
Count Changeover	1/2/3/4 changeover	
Ambient Temperature	-15°C to +55°C (+5°F to +131°F) without condensation	
Installation Places	Indoor ceiling (wall mount with optional attachment BCW-401)	
Wiring Method	Terminals on separate base unit	
Weight	135 g (4.75oz)	
External Appearance	Body: ABS resin Cover: PE resin	
Accessory	Tapping screw: 2 pcs. Sensor locking screw: 1 pcs.	

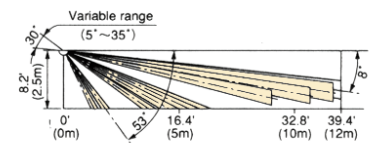
Due to ongoing product improvements, specifications may change without notice.

Coverage (m/feet)

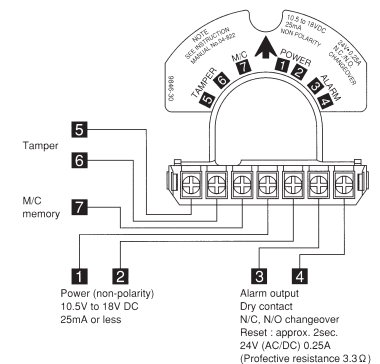
•Top view



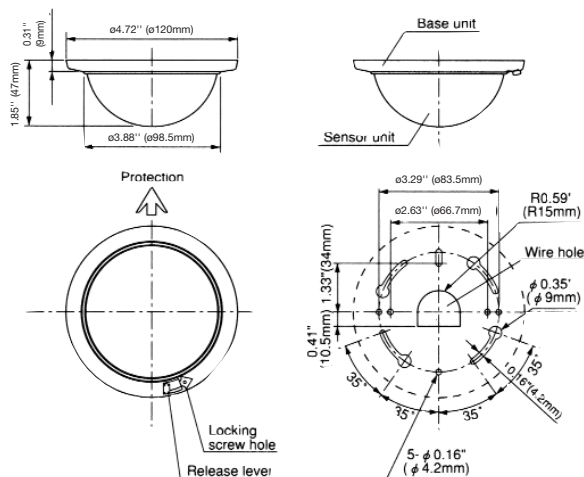
•Side view



Wiring



Physical Dimensions mm/inch



- 1 & 2: Power (non-polarity)
9V to 18V DC
N/C: 25mA or less
N/C: 35mA or less
- 3 & 4: Alarm output
Dry contact (Semi-Conductor)
N/C, N/O changeover
Reset : approx. 2 sec.
30V AC/DC, 0.25A
(Protective resistance 3.3 Ω)
- 5 & 6: Tamper
- 7: M/C memory control

Note: This sensor is designed to detect intrusion and to initiate a signal. It is not a burglar-preventing device. TAKEX is not responsible for damages or losses caused by accidents, thefts, Acts of God (including inductive lightning), abuses, misuses, abnormal usages, faulty installation or improper maintenance.



TAKEX Europe Ltd.

Aviary Court, Wade Road
Basingstoke, Hants RG24 8PE, U.K.
Tel: 44 (1256) 475555
Fax: 44 (1256) 466268
Email: sales@takexeurope.com
Website: www.takexeurope.com

PA-6612E DS-12 03
(CRI-142)